

Verderflex

Steptronic EZ Head



VERDERFLEX®

Description

The Steptronic, a cost effective single source solution giving all users from design engineers to large OEM manufactures maximised performance and reliability. Steptronic can help you by reducing downtime and eliminating the design uncertainty and risks associated with the separate specification of pumps, drives and control systems.

Features and benefits

- Quick release, compact tube head
- 4000:1 turn down
- 0.1% speed accuracy
- Programmable speed range
- Built in electronic controller

Technical data

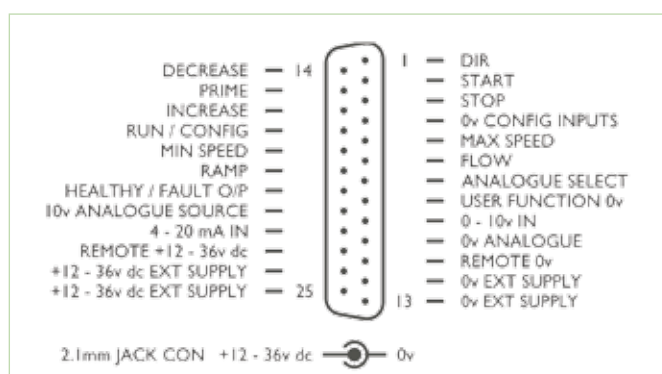
Description	Material
Pump Head	Polyamide (One or Two head options available)
Motor	High resolution, 12 bit stepper drive, 12-36V range DC 20W Variable Speed - 0.001 to 250 RPM
Analogue flow control	0-10Vdc (13Vdc Max), scaleable 4-20mA (27mA Max)
Rotor	3 Roller
Tube	Verderprene, Silicone, Viton® and Tygon®
Tube Sizes	0.8 x 1.6 mm, 1.6 x 1.6 mm, 3.2 x 1.6 mm, 4.8 x 1.6 mm, 6.4 x 1.6 mm and 8.0 x 1.6 mm
Option	Specific tube size clamp inserts
Weight	2.0 kg (Cased Option - 2.73 kg)

Typical Flow Rates

Tube (ID x WT)	RPM	Flow ml/min	Flow l/hr
0.8 x 1.6 mm	0 - 250	0 - 19	0 - 1
1.6 x 1.6 mm	0 - 250	0 - 70	0 - 4
3.2 x 1.6 mm	0 - 250	0 - 268	0 - 16
4.8 x 1.6 mm	0 - 250	0 - 588	0 - 35
6.4 x 1.6 mm	0 - 250	0 - 938	0 - 56
8.0 x 1.6 mm	0 - 250	0 - 1310	0 - 79

Flows are typical and were measured with water at 20°C with no suction lift or discharge pressure. Actual flows will vary according to suction conditions, discharge pressure and normal component production tolerances.

Connection/Control Pin Out



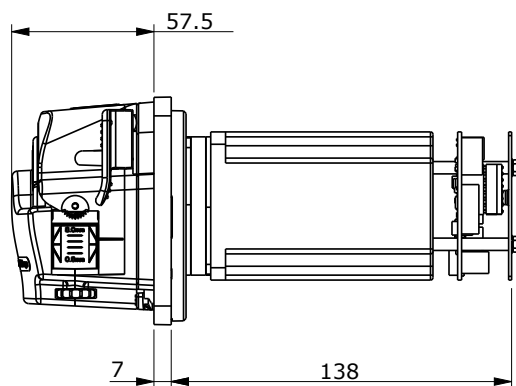
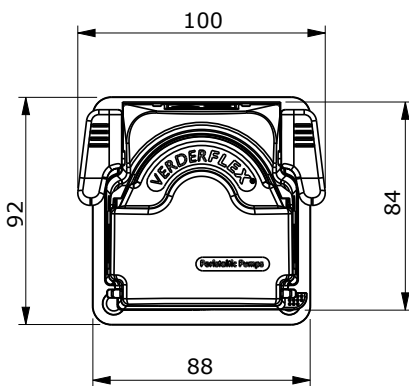
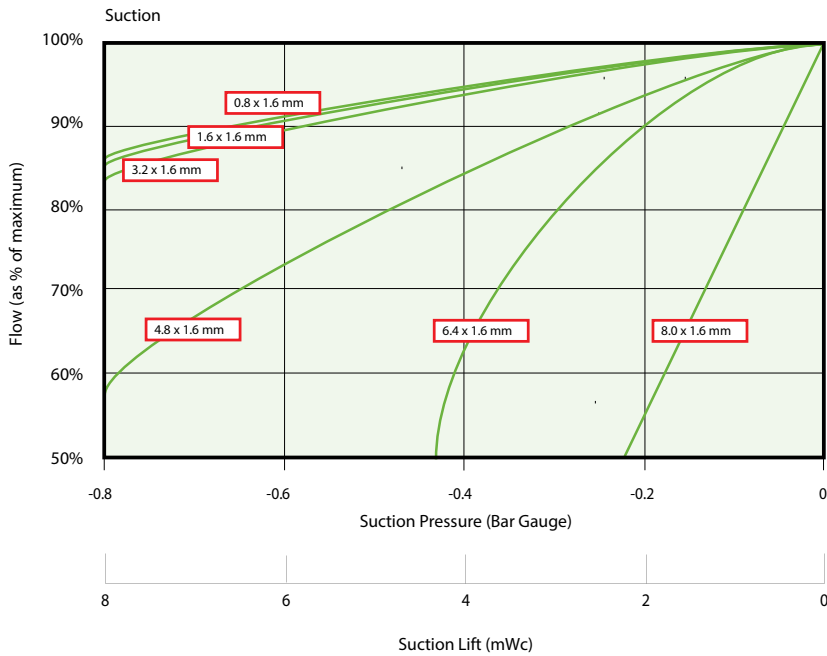
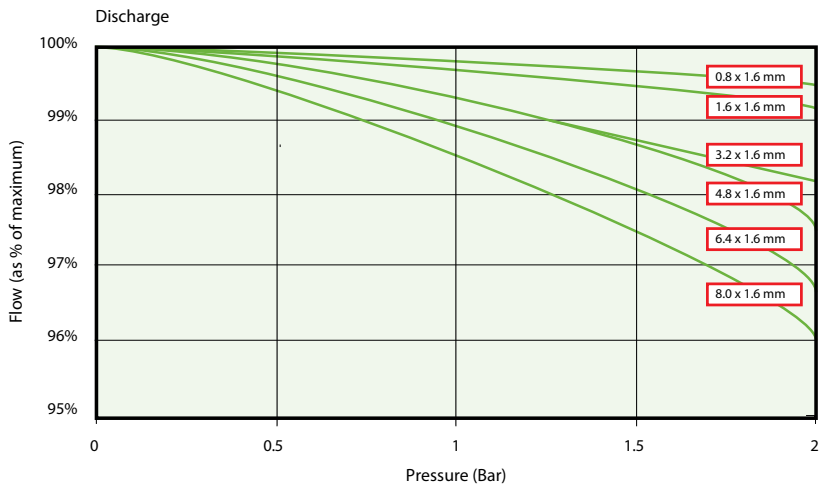
Optional Cased Version

Verderflex

Steptronic EZ Head



VERDERFLEX®



All dimensions are in mm.
All dimensions are for guidance only.

VF_Steptronic_EZ_Technosheet_rev01_2015_(eu)

Find your local supplier
at www.verderflex.com

For application, construction and installation plans please
contact your local authorised Verderflex® distributor.

VERDER
passion for pumps

