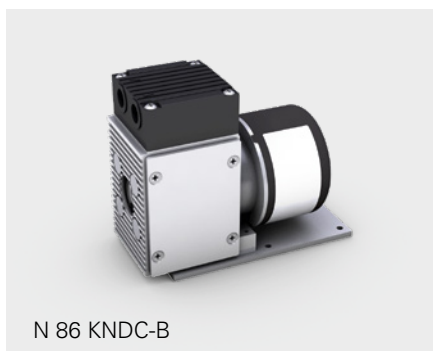


# N 86 SERIES VACUUM PUMPS AND COMPRESSORS



N 86 KNDC



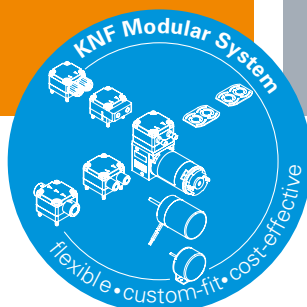
N 86 KNDC-B

## ADVANTAGES

- High chemical resistance
- Robust design
- Copes well with vapor and condensation

## POSSIBLE AREAS OF USE

- Stationary emission measurement technology (CEMS)
- Mobile/portable gas measurement technology
- Instrumental analysis
- Medical technology – especially diagnostics



Please visit our website  
[www.knf.com](http://www.knf.com)  
to get more information

## PERFORMANCE DATA

Series model	N 86					
	KNE	KTE	KNDC	KTDC	KNDC-B	KTDC-B
Pump head	PPS					
Diaphragm	EPDM	PTFE-coated	EPDM	PTFE-coated	EPDM	PTFE-coated
Valves	FPM	FFPM	FPM	FFPM	FPM	FFPM
Flow rate at atm. pressure (l/min)	6.0	5.5	6.5	6.0		5.5
Ultimate vacuum (mbar abs.)	100	160	100	160	100	160
Max. operating pressure (bar rel./psig)	2.4/34.8	2.5/36.3	1.5/21.8		2.4/34.8	2.5/36.3
Permissible ambient temperature (°C)	+5 ... +40					
Permissible media temperature (°C)	+5 ... +40					
Weight (kg/lbs)	1.1/2.4		0.6/1.3			

## ELECTRICAL DATA

Voltage (V)	230	12   24
Motor	Shaded pole motor	DC Motor   Brushless DC motor
Protection class motor	IP 00	IP 50   IP 30
Frequency (Hz)	50	-
Power P <sub>1</sub> (W)	60.0	-
I <sub>max</sub> (A)	0.65	1.30   0.65   1.50   0.75   1.10   0.65   1.00   0.60

## ACCESSORIES

Description	Part No.	Details
Silencer	000345	
Inlet filter	000346	
Hose connector	001936	PA
Hose connector	025671	PVDF
Rubber foot	024435	

## SPARE PARTS

Description	Part No.	Details
Spare parts kit N 86 KN_	043241	
Spare parts kit N 86 KT_	043242	

The performance values for the series models shown on this data sheet were determined under test conditions. The actual performance values may differ and depend in particular on the usage conditions and therefore on the specific application, on the parameters of the components involved in the user's system and on any technical modifications carried out which deviate from the standard configuration or the as delivered condition.

If individual designs have been created for specific customers on the basis of series models, other technical performance data may apply.

Before operation begins, the relevant operating instructions and/or assembly or installation instructions should be read and the safety information contained in these instructions should be noted.

KNF reserves the right to make changes to the product and the associated documentation without prior notice to the customer.



[www.knf.com](http://www.knf.com)

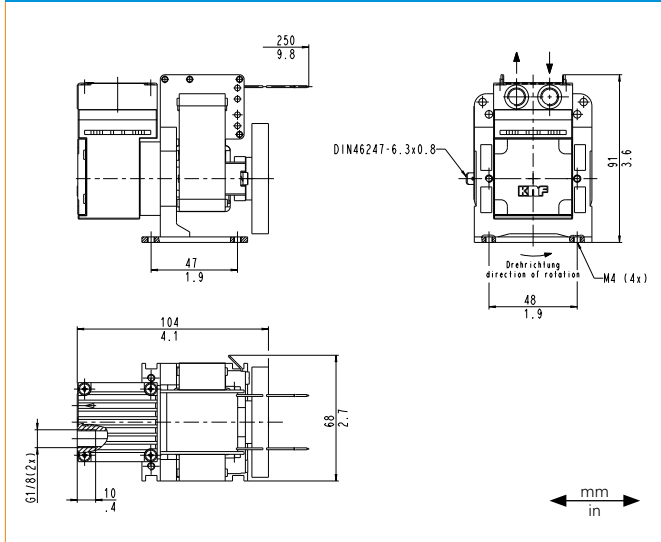
# N 86 KNE | KTE

## PERFORMANCE DATA

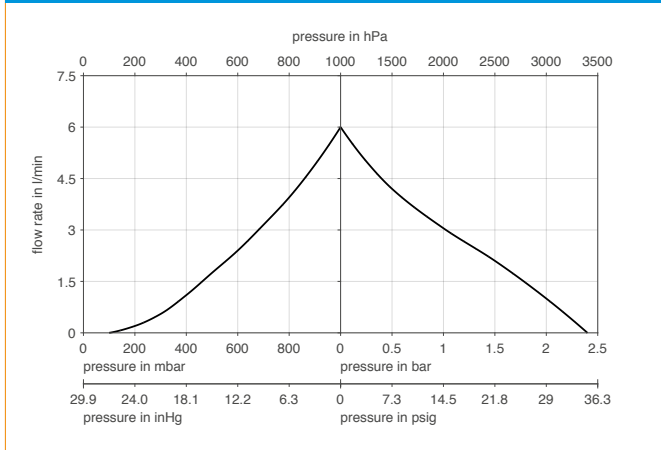
Series model	Flow rate at atm. pressure (l/min) <sup>1)</sup>	Max. operating pressure (bar rel./psig)	Ultimate vacuum (mbar abs.)
N 86 KNE	6.0	2.4/34.8	100
N 86 KTE	5.5	2.5/36.3	160

<sup>1)</sup> Liter at STP

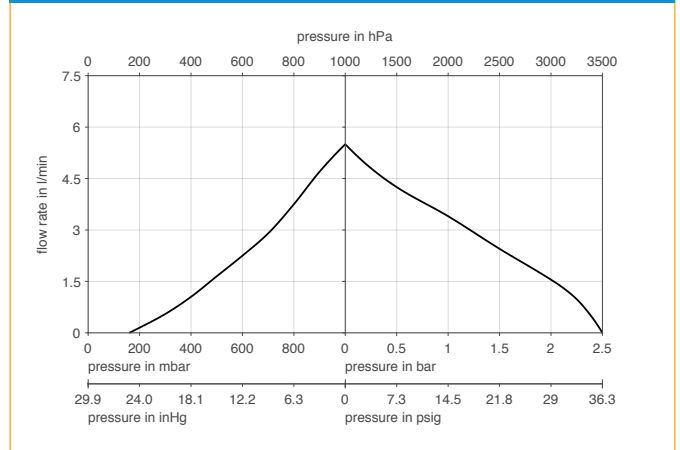
## N 86 K\_E



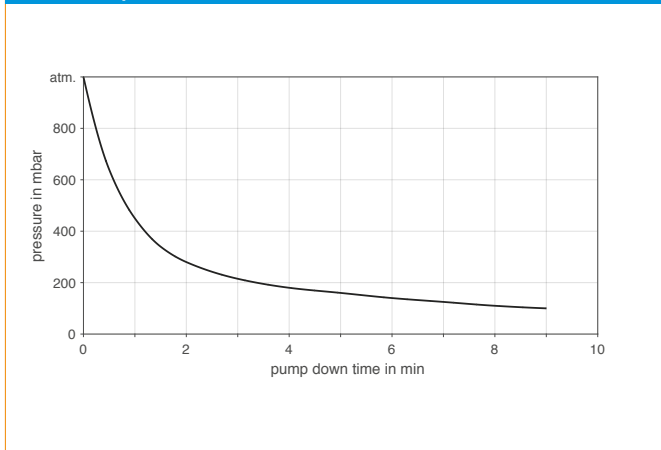
## N 86 KNE



## N 86 KTE



## N 86 KNE | PUMP DOWN TIME FOR 5 LITER VESSEL



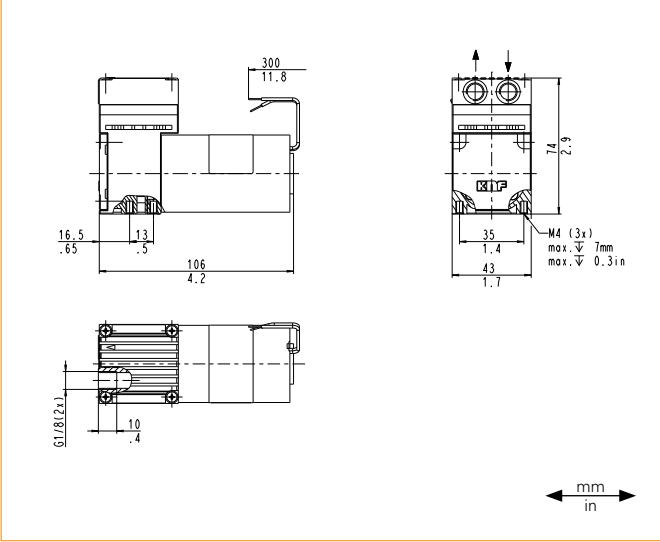
# N 86 KNDC | KTDC

## PERFORMANCE DATA

Series model	Flow rate at atm. pressure (l/min) <sup>1)</sup>	Max. operating pressure (bar rel./psig)	Ultimate vacuum (mbar abs.)
N 86 KNDC	6.5	1.5/21.8	100
N 86 KTDC	6.0	1.5/21.8	160

<sup>1)</sup> Liter at STP

## N 86 K\_DC



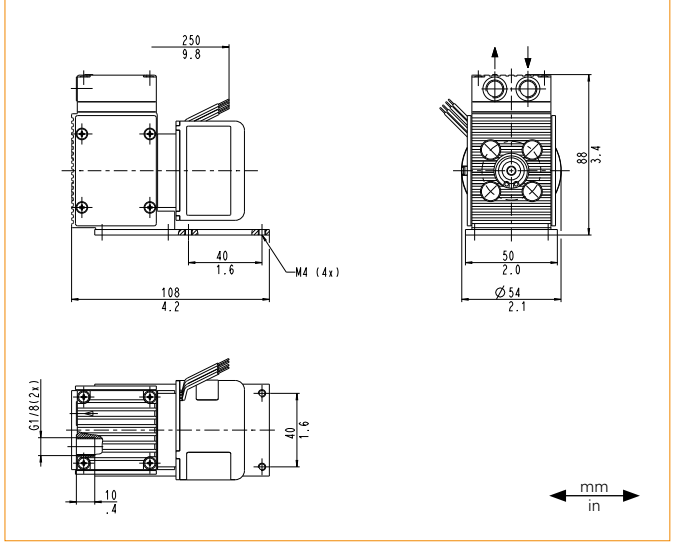
# N 86 KNDC-B | KTDC-B

## PERFORMANCE DATA

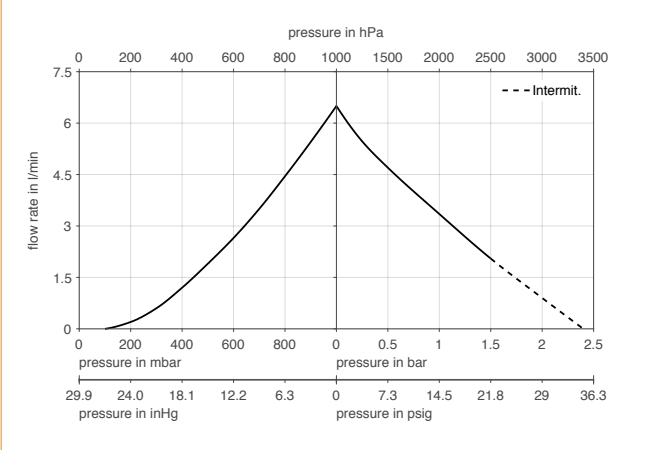
Series model	Flow rate at atm. pressure (l/min) <sup>1)</sup>	Max. operating pressure (bar rel./psig)	Ultimate vacuum (mbar abs.)
N 86 KNDC-B	6.0	2.4/34.8	100
N 86 KTDC-B	5.5	2.5/36.3	160

<sup>1)</sup> Liter at STP

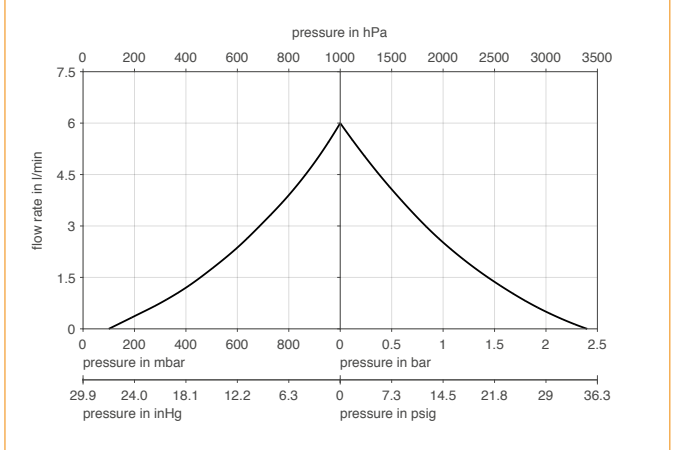
## N 86 K\_DC-B



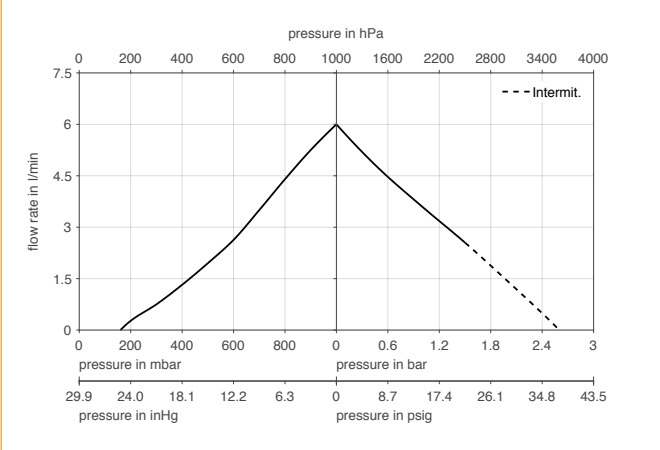
## N 86 KNDC



## N 86 KNDC-B



## N 86 KTDC



## N 86 KTDC-B

